

Technical book

TMM Range
2.0 & 2.5 tons
Mounted trucks



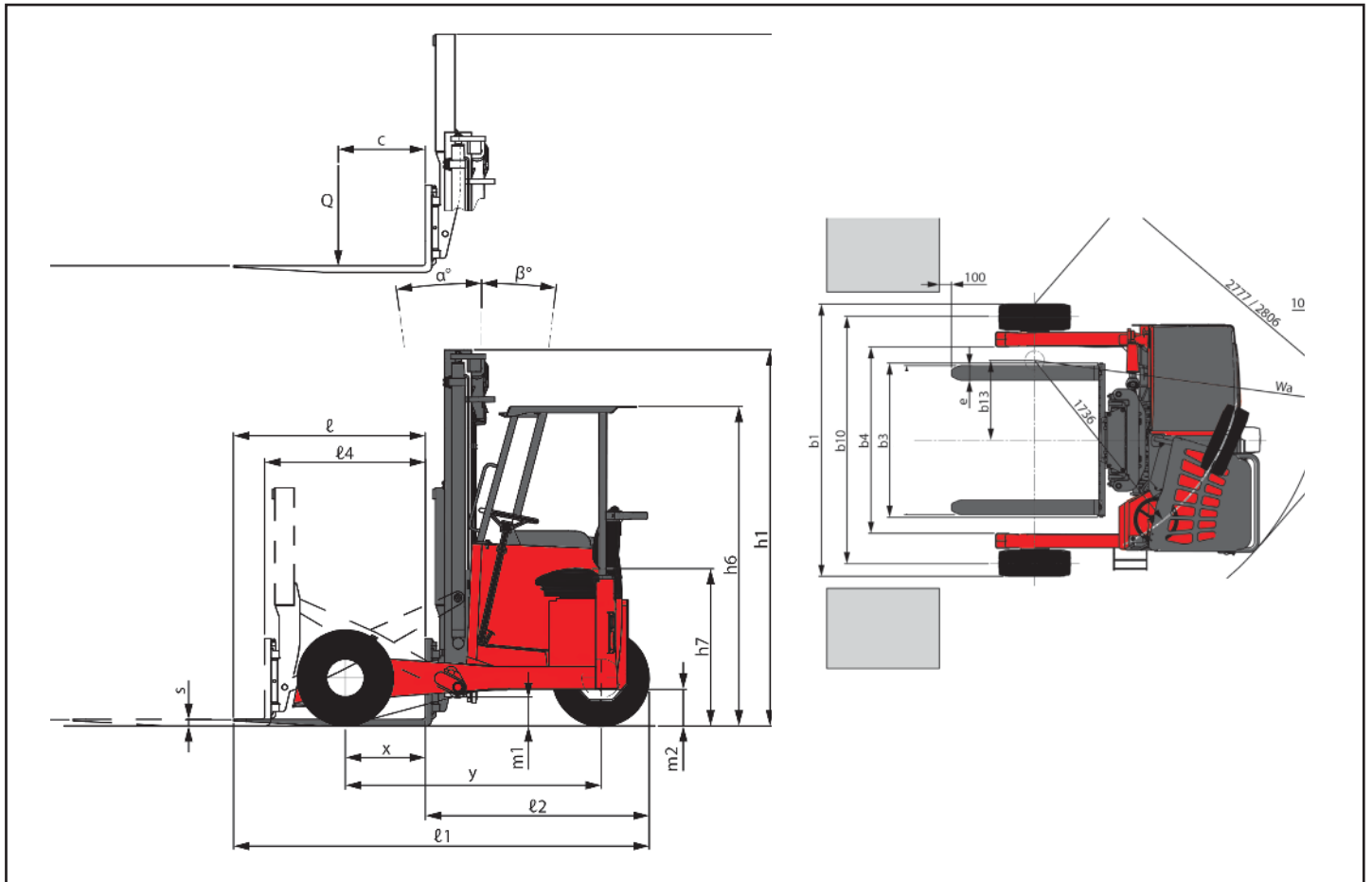
2 000 - 2 500 kg

TECHNICAL SPECS

| | | | | MANITOU | | |
|----------------|----------------------|--|------------------|-----------------|------------------|------------------|
| | | | | TMM 20 | TMM 25 | |
| Specifications | 1.1 | Manufacturer | | | MANITOU | MANITOU |
| | 1.2 | Model | | | TMM 20 | TMM 25 |
| | 1.3 | Power source | | | Diesel | Diesel |
| | 1.4 | Driving position | | | Seated | Seated |
| | 1.5 | Nominal capacity | Q | kg | 2000 | 2500 |
| | 1.6 | Load - Centre of gravity | c | mm | 600 | 600 |
| | 1.8 | Distance from the load-bearing surface to centre of front axle | x | mm | 500 | 500 |
| | 1.9 | Wheelbase | y | mm | 1598 | 1598 |
| | Weights | 2.1 | Operating weight | | kg | 2090 |
| 2.2 | | Axle load, with load, front / rear | | kg | 2900 / 1190 | 3585 / 1255 |
| 2.3 | | Axle load, without load, front / rear | | kg | 900 / 1190 | 1085 / 1255 |
| Tyres, frame | 3.1 | Tyre equipment : cushion (V), superelastic (SE), pneumatic (L) | | | Pneumatic | Pneumatic |
| | 3.2 | Size of front wheels | | " or mm | 23x9-10 IC30 | 27x10-12 IC30 |
| | 3.3 | Size of rear wheels | | " or mm | 23x9-10 IC30 | 27x10-12 IC30 |
| | 3.5 | Number of front wheels (x=drive wheel) / rear wheels | | | 2x/1x | 2x/1x |
| | 3.6 | Front wheel gauge (middle of wheels) | b10 | mm | 2103 | 2151 |
| Dimensions | 4.1 | Tilt of mast forwards / backwards | a / β | deg | 8 / 7 | 8 / 7 |
| | 4.2 | Height mast lowered | h1 | mm | 2352 | 2392 |
| | 4.4 | Lift height* | h3 | mm | 3000 | 3000 |
| | 4.5 | Height mast extended | h4 | mm | 4455 | 4495 |
| | 4.7 | Height of overhead guard (cabin) | h6 | mm | 2000 | 2040 |
| | 4.19 | Overall length | l1 | mm | 2598 | 2638 |
| | 4.20 | Length at fork heels | l2 | mm | 1398 | 1438 |
| | 4.21 | Total width (overall) | b1 | mm | 2323 | 2406 |
| | 4.22 | Fork dimensions* | s / e / l | mm | 170x55x1350 | 125x40x1200 |
| | 4.23 | Fork carriage to DIN 15173 A/B | | | FEM2A | FEM2A |
| | 4.24 | Width of fork carriage | b3 | mm | 1260 | 1260 |
| | 4.26 | Distance between support arms | b4 | mm | 1600 | 1600 |
| | 4.31 | Ground clearance below mast | m1 | mm | 205 | 245 |
| | 4.32 | Ground clearance at centre of wheel-base | m2 | mm | 230 | 270 |
| | 4.34 | Width of aisle for pallet 800x1200 lengthways | Ast | mm | 3363 | 3363 |
| | 4.35 | Turning radius | Wa | mm | 2463 | 2463 |
| 4.36 | Inner turning radius | b13 | mm | 672 | 672 | |
| Performances | 5.1 | Speed of travel laden / unladen | | km/h | 10 / 10 | 11,2/11,2 |
| | 5.2 | Speed of rising movement laden / unladen | | m/s | 0,2 / 0,3 | 0,2 / 0,3 |
| | 5.3 | Speed of lowering movement laden / unladen | | m/s | 0,2 / 0,4 | 0,2 / 0,4 |
| | 5.5 | Nominal towing power laden / unladen | | daN | 2200 | 2200 |
| | 5.7 | Gradeability with / without load | | % | 43 / 26 | 43 / 26 |
| | 5.10 | Service brake | | | Hydraulic | Hydraulic |
| Engines | 7.1 | Engine Manufacturer / Type | | | Kubota V1505-E3B | Kubota V1505-E3B |
| | 7.2 | Power delivery | | kW | 26,5 | 26,5 |
| | 7.4 | Nber of cylinders / Displacement | | cm ³ | 4 / 1498 | 4 / 1498 |
| Miscellan. | 8.2 | Operating pressure for attachments | | bar | 190 | 190 |
| | 8.3 | Oil flow for attachments | | l/min | 43 | 43 |
| | 8.4 | Average noise level for the driver (in motion) measured / guaranteed | | dB (A) | 86 | 86 |

* Other values are available

DIMENSIONAL DRAWINGS



MASTS AND RATED CAPACITIES

| TMM 20 | | | Total Visibility Duplex | | |
|--------|---|----|-------------------------|--------|--------|
| | | | DVT 30 | DVT 36 | DVT 39 |
| h3 | Lift height | mm | 3000 | 3600 | 3900 |
| h1 | Height mast lowered | mm | 2352 | 2702 | 2852 |
| h4 | Height mast extended | mm | 4455 | 5055 | 5355 |
| | Residual capacity with expander non-deployed (CDG=600mm) | kg | 2000 | 2000 | |
| | Residual capacity with expander deployed without stabilisers (Center of gravity = 600 mm) | kg | 900 | 800 | |
| | Residual capacity with expander deployed with stabilisers (Center of gravity = 600 mm) | kg | 2000 | 2000 | |

| TMM 25 | | | Total Visibility Duplex | | |
|--------|---|----|-------------------------|--------|--------|
| | | | DVT 30 | DVT 36 | DVT 39 |
| h3 | Lift height | mm | 3000 | 3600 | 3900 |
| h1 | Height mast lowered | mm | 2392 | 2742 | 2892 |
| h4 | Height mast extended | mm | 4495 | 5095 | 5395 |
| | Residual capacity with expander non-deployed (CDG=600mm) | kg | 2500 | 2500 | |
| | Residual capacity with expander deployed without stabilisers (Center of gravity = 600 mm) | kg | 900 | 800 | |
| | Residual capacity with expander deployed with stabilisers (Center of gravity = 600 mm) | kg | | 2000 | |

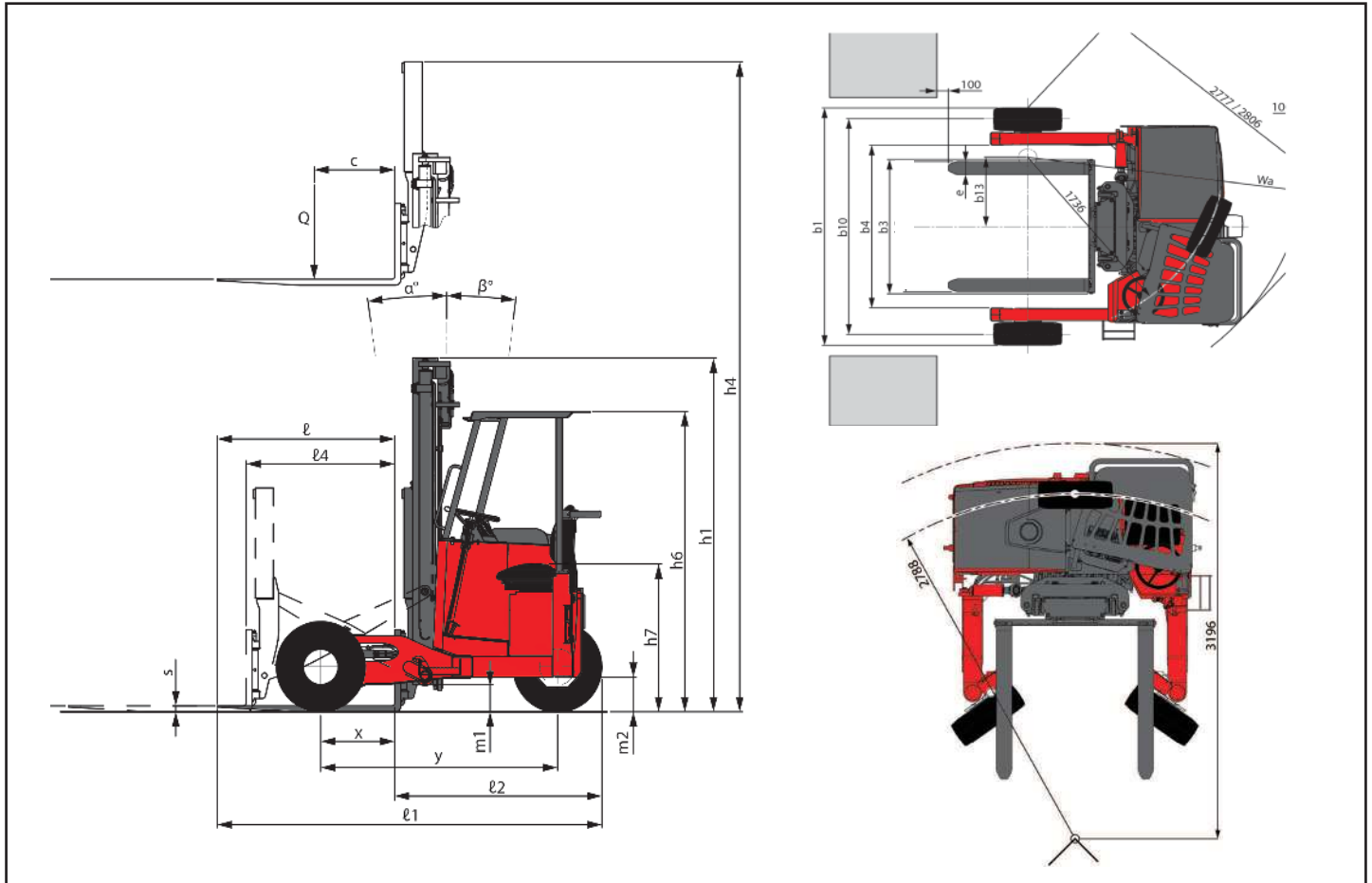
2 000 - 2 500 kg : 4-way

TECHNICAL SPECS

| | | | | MANITOU | MANITOU | |
|----------------|----------------------|--|-----------------------------------|------------------|------------------|------------------|
| Specifications | 1.1 | Manufacturer | | | | |
| | 1.2 | Model | | TMM 20-4W | TMM 25-4W | |
| | 1.3 | Power source | | Diesel | Diesel | |
| | 1.4 | Driving position | | Seated | Seated | |
| | 1.5 | Nominal capacity | Q | kg | 2000 | 2500 |
| | 1.6 | Load - Centre of gravity | c | mm | 600 | 600 |
| | 1.8 | Distance from the load-bearing surface to centre of front axle | x | mm | 500 | 500 |
| | 1.9 | Wheelbase | y | mm | 1598 | 1598 |
| Weights | 2.1 | Operating weight | | kg | 2250 | 2500 |
| | 2.2 | Axle load, with load, front / rear | | kg | 3030 / 1220 | 3715 / 1285 |
| | 2.3 | Axle load, without load, front / rear | | kg | 1030 / 1220 | 1215 / 1285 |
| Tyres, frame | 3.1 | Tyre equipment : cushion (V), superelastic (SE), pneumatic (L) | | | Pneumatic | Pneumatic |
| | 3.2 | Size of front wheels | | " or mm | 23x9-10 1C30 | 27x10-12 1C30 |
| | 3.3 | Size of rear wheels | | " or mm | 23x9-10 1C30 | 27x10-12 1C30 |
| | 3.5 | Number of front wheels (x=drive wheel) / rear wheels | | | 2x/1x | 2x/1x |
| | 3.6 | Front wheel gauge (middle of wheels) | b10 | mm | 2095 | 2143 |
| | Dimensions | 4.1 | Tilt of mast forwards / backwards | a / β | deg | 8 / 7 |
| 4.2 | | Height mast lowered | h1 | mm | 2352 | 2392 |
| 4.4 | | Lift height* | h3 | mm | 3000 | 3000 |
| 4.5 | | Height mast extended | h4 | mm | 4455 | 4495 |
| 4.7 | | Height of overhead guard (cabin) | h6 | mm | 2000 | 2040 |
| 4.19 | | Overall length | l1 | mm | 2598 | 2638 |
| 4.20 | | Length at fork heels | l2 | mm | 1398 | 1438 |
| 4.21 | | Total width (overall) | b1 | mm | 2315 | 2398 |
| 4.22 | | Fork dimensions* | s / e / l | mm | 170x55x1350 | 125x40x1200 |
| 4.23 | | Fork carriage to DIN 15173 A/B | | | FEM2A | FEM2A |
| 4.24 | | Width of fork carriage | b3 | mm | 1260 | 1260 |
| 4.26 | | Distance between support arms | b4 | mm | 1492 | 1492 |
| 4.31 | | Ground clearance below mast | m1 | mm | 205 | 245 |
| 4.32 | | Ground clearance at centre of wheel-base | m2 | mm | 230 | 270 |
| 4.34 | | Width of aisle for pallet 800x1200 lengthways | Ast | mm | 3363 | 3363 |
| 4.35 | | Turning radius | Wa | mm | 2463 | 2463 |
| 4.36 | Inner turning radius | b13 | mm | 672 | 672 | |
| Performances | 5.1 | Speed of travel laden / unladen | | km/h | 10 / 10 | 11,2/11,2 |
| | 5.2 | Speed of rising movement laden / unladen | | m/s | 0,2 / 0,3 | 0,2 / 0,3 |
| | 5.3 | Speed of lowering movement laden / unladen | | m/s | 0,2 / 0,4 | 0,2 / 0,4 |
| | 5.5 | Nominal towing power laden / unladen | | daN | 2300 | 2300 |
| | 5.7 | Gradeability with / without load | | % | 43 / 26 | 43 / 26 |
| | 5.10 | Service brake | | | Hydraulic | Hydraulic |
| Engines | 7.1 | Engine Manufacturer / Type | | | Kubota V1505-E3B | Kubota V1505-E3B |
| | 7.2 | Power delivery | | kW | 26,5 | 26,5 |
| | 7.4 | Nber of cylinders / Displacement | | cm ³ | 4 / 1498 | 4 / 1498 |
| Miscellan. | 8.2 | Operating pressure for attachments | | bar | 190 | 190 |
| | 8.3 | Oil flow for attachments | | l/min | 43 | 43 |
| | 8.4 | Average noise level for the driver (in motion) measured / guaranteed | | dB (A) | 86 | 86 |

* Other values are available

DIMENSIONAL DRAWINGS



MASTS AND RATED CAPACITIES

| TMM 20 | | | Total Visibility Duplex | | |
|--------|---|----|-------------------------|--------|--------|
| | | | DVT 30 | DVT 36 | DVT 39 |
| h3 | Lift height | mm | 3000 | 3600 | 3900 |
| h1 | Height mast lowered | mm | 2352 | 2702 | 2852 |
| h4 | Height mast extended | mm | 4455 | 5055 | 5355 |
| | Residual capacity with expander non-deployed (CDG=600mm) | kg | 2000 | 2000 | |
| | Residual capacity with expander deployed without stabilisers (Center of gravity = 600 mm) | kg | 1000 | 900 | |
| | Residual capacity with expander deployed with stabilisers (Center of gravity = 600 mm) | kg | 2000 | 2000 | |

| TMM 25 | | | Total Visibility Duplex | | |
|--------|---|----|-------------------------|--------|--------|
| | | | DVT 30 | DVT 36 | DVT 39 |
| h3 | Lift height | mm | 3000 | 3600 | 3900 |
| h1 | Height mast lowered | mm | 2392 | 2742 | 2892 |
| h4 | Height mast extended | mm | 4495 | 5095 | 5395 |
| | Residual capacity with expander non-deployed (CDG=600mm) | kg | 2500 | 2500 | |
| | Residual capacity with expander deployed without stabilisers (Center of gravity = 600 mm) | kg | 1000 | 900 | |
| | Residual capacity with expander deployed with stabilisers (Center of gravity = 600 mm) | kg | 2000 | 2000 | |

Your nearest MANITOU dealer:



Head office

B.P. 249 - 430 rue de l'Aubinière - 44158 Ancenis Cedex - France
Tel: 00 33 (0)2 40 09 10 11 - Fax: 00 33 (0)2 40 09 10 97
www.manitou.com

This brochure describes versions and configuration options for Manitou products which may be fitted with different equipment. The equipment described in this brochure may be standard, optional or not available depending on version. Manitou reserves the right to change the specifications shown and described at any time and without prior warning. The manufacturer is not liable for the specifications given. For more information, contact your Manitou dealer. Non-contractual document. Product descriptions may differ from actual products. List of specifications is not comprehensive. The logos and visual identity of the company are the property of Manitou and may not be used without authorisation. All rights reserved. The photos and diagrams contained in this brochure are provided for information only.

MANITOU BF SA - Limited company with board of directors - Share capital: 39,547,824 euros - 857 802 508 RCS Nantes